

The Anchor Table

8 Seat, 30"x96" Rectangle Top

Correctional Group Seating Dining Tables

The Anchor Tables are versatile, heavy duty tables that meet all ADA requirements. The laminate table tops are complete with rounded edges for increased safety and comfort, and are ideal for use in Dayroom and Dining applications.



Contact Cortech for ordering information.

THE ANCHOR TABLE FABRICATION/MATERIAL:

Seat: Durable, one piece, rotationally molded design for increased strength. Constructed of high impact "no break" polyethylene. Molded-in threaded steel inserts provide for tamper resistant, "steel-to-steel" attachment to base frame with tamper resistant hardware. 7 or 8 Seat Configurations with Multiple Color Options

Top: Laminate Top is seamless one-piece design with EXTREME surface strength and impact resistance. Rounded edge for increase safety and comfort. Attached to legs with tamper resistant screws. Easy to clean and maintain. Manufactured to ISO Quality Standards in the USA

Frame: Continuous seam welded frame structure, 3" diameter, 14 gauge powder coated steel with 11 gauge steel seat supports. Bolt to floor

WEIGHT(s): Contact Cortech for Details

OPTIONS: 7 or 8 Seat Configurations
ADA Compliant tables manufactured with one less leg

ASSEMBLY: Assembly Required

WARRANTY: 3 Year Warranty. Must be bolted down

MAINTENANCE: Easy to clean, sanitize & maintain

Seats Available in



Aqua Black Blue Gray Brown Burgundy Gray Green Indigo Midnight Blue Sand Slate Blue Stone Gray

Custom colors available upon request. Call Cortech for details.

OVERVIEW

The Anchor Tables are versatile, heavy duty tables that meet all ADA requirements. The laminate table tops are complete with rounded edges for increased safety and comfort, and are ideal for use in Dayroom and Dining applications. Manufactured to ISO Quality Standards in the USA.

THE ANCHOR TABLE FABRICATION/MATERIAL:

Seat: Durable, one piece, rotationally molded design for increased strength. Constructed of high impact "no break" polyethylene. Molded-in threaded steel inserts provide for tamper-resistant, "steel-to-steel" attachment to base frame with tamper resistant hardware. 7 or 8 Seat Configurations. ADA Compliant tables manufactured with one less leg.

Top: Laminate Top is seamless one-piece design with high impact resistance. Rounded edge for increase safety and comfort. Attaches to legs with tamper-resistant screws. Easy to clean and maintain.

Frame: Continuous seam welded frame structure, 3" diameter, 14 gauge powder coated steel with 11 gauge steel seat supports. Bolt to floor.

COLOR: Gray top. Custom colors available upon request

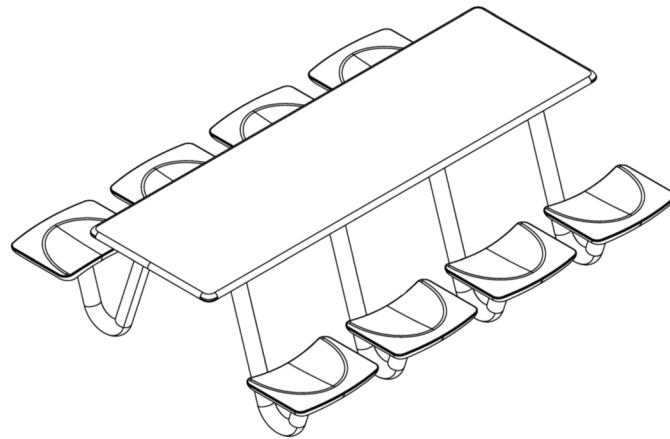
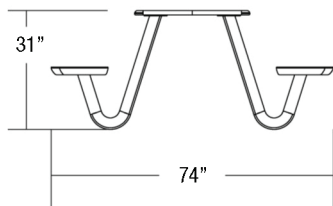
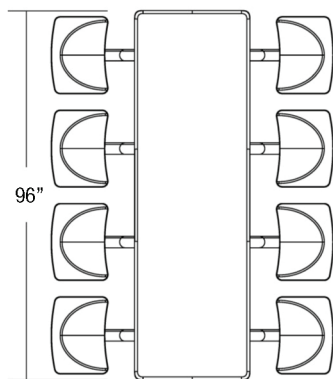
WEIGHT(s): 265 lbs.

OPTIONS: Multiple Seat Color Options

ASSEMBLY: Seats: Molded-in threaded steel inserts provide for tamper-resistant, "steel-to-steel" attachment to base frame with tamper resistant hardware. Hardware bit size: T40. Top: Attaches to legs with tamper resistant screws. Hardware bit size: T40.

WARRANTY: 3 Year Factory Warranty.

MAINTENANCE: Easy to clean and maintain.



OVERVIEW

The Anchor Tables are versatile, heavy duty tables that meet all ADA requirements. The laminate table tops are complete with rounded edges for increased safety and comfort, and are ideal for use in Dayroom and Dining applications. Manufactured to ISO Quality Standards in the USA.

THE ANCHOR TABLE FABRICATION/MATERIAL:

Seat: Durable, one piece, rotationally molded design for increased strength. Constructed of high impact "no break" polyethylene. Molded-in threaded steel inserts provide for tamper-resistant, "steel-to-steel" attachment to base frame with tamper resistant hardware. ADA Compliant tables manufactured with one less leg.

Top: Laminate Top is seamless one-piece design with high impact resistance. Rounded edge for increase safety and comfort. Attached to legs with tamper-resistant screws. Easy to clean and maintain.

Frame: Continuous seam welded frame structure, 3" diameter, 14 gauge powder coated steel with 11 gauge steel seat supports. Bolt to floor.

COLOR: Gray top. Custom colors available upon request

WEIGHT(s): 240 lbs.

OPTIONS: Multiple Seat Color Options

ASSEMBLY: Seats: Molded-in threaded steel inserts provide for tamper-resistant, "steel-to-steel" attachment to base frame with tamper resistant hardware. Hardware bit size: T40. Top: Attaches to legs with tamper resistant screws. Hardware bit size: T40.

WARRANTY: 3 Year Factory Warranty.

MAINTENANCE: Easy to clean and maintain.

